

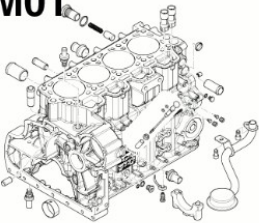

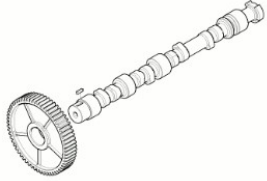
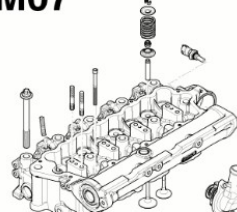
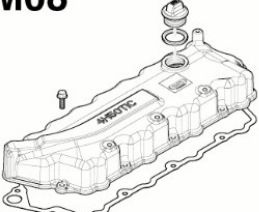
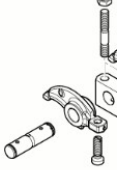
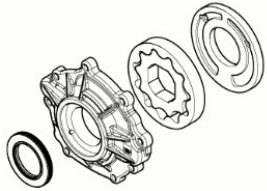
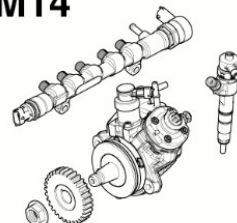
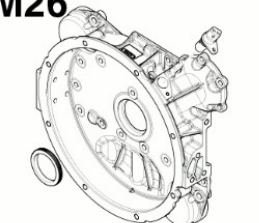

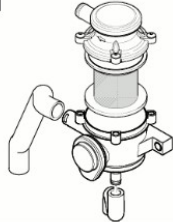


M Basic engine

4 H 50 TICD.10

<p>M00</p> 	<p>M34</p>  <p>THIS ENGINE IS SOLELY FOR EXPORT AND IS THEREFORE EXEMPT UNDER 40 CFR 1068.230 FROM U.S. EMISSION STANDARDS AND RELATED REQUIREMENTS ©2002 HATZ 231 00</p> <p>HATZ Motorenfabrik Hatz GmbH & Co. KG</p>	<p>M01</p> 	<p>M02, M03</p> 
<p>M04</p> 	<p>M07</p> 	<p>M08</p> 	<p>M09</p> 
<p>M10</p> 	<p>M14</p> 	<p>M26</p> 	<p>M30</p> 
<p>M31</p> 	<p>M37</p> 